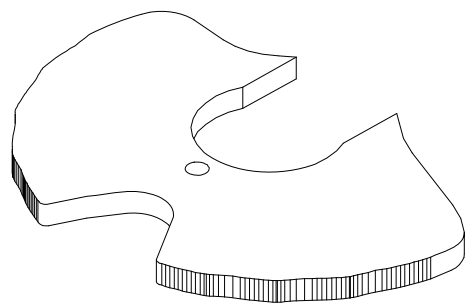
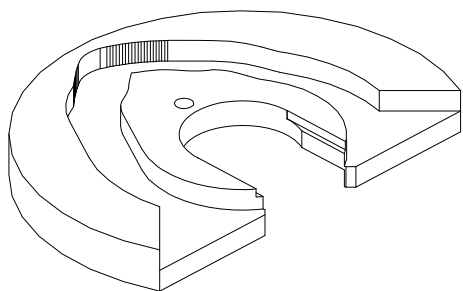
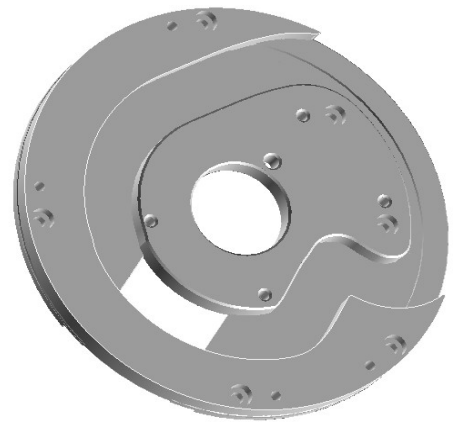
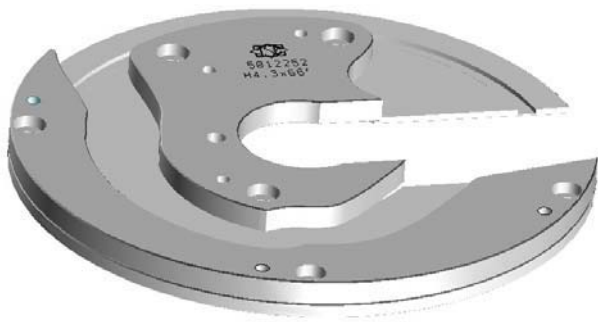


# Camme Gildemeister GS20 GM20



# Gildemeister AS16 AS20 GS20

Camme radiali standard (Vedi Tab.01 )



<b>Tab.01</b>		<b>Misure per camme standard per slitte radiali</b>									
Pos.		0	Ht	1.5	Ht	3	Ht	6	Ht	12	Ht
1	Gildem.	0829111 501304 28		0829107 501312 37		0829105 501303 28		0829106 501306 31		0829107 501312 37	
1	Gildem.	1629301 501313 42									
2-3-4-5-6	Gildem.	0829104 501307 36		0829118 501309 28		0829101 501301 28		0829102 501302 31		0829103 501305 37	
2-3-4-5-6	Gildem.					0829109 501310 39		0829110 501311 36			

Camme per mandrini frontali (Vedi Tab.02 )



<b>Tab.02</b>		<b>Misure per camme standard per mandrini frontali</b>															
Pos.		0	Ht	2.5	Ht	5	Ht	10	Ht	12	Ht	17	Ht	20	Ht	27	Ht
1	Gildem.	1629407 501101 40		1629402 501110 38		1629403 501104 45		1629404 501107 50		1629405 501111 47		1629406 501112 52					
1	Gildem.	1629401 501109 25															
2-3-4-5-6	Gildem.	0829205 501106 25		0829201 501103 28		0829202 501102 28		0829203 501105 35						0829204 501108 45		1629408 501113 52	

Camme per slitte assiali (Vedi Tab.03)



<b>Tab.03</b>		<b>Misure per camme standard per slitte assiali</b>						
Pos.		2.5	5	10	14	20	28	40
1	Gildem.	1629207 502914	1629206 502913	1629202 502909	1929205 502912	1629201 502928	1629204 502911	1629203 502910
2-4-5	Gildem.	0829607 502907	0829606 502906	0829602 502902	0829605 502905	0829601 502901	0829604 502904	0829603 502903

Radiali

Mandrini

Assiali

Tabelle riassuntive

501301	0829101	H3	198	POS 2-3-4-5-6
501302	0829102	H6	198	POS 2-3-4-5-6
501303	0829105	H3	165	POS 1
501304	0829111	H0	147	POS 1
501305	0829103	H12	198	POS 2-3-4-5-6
501306	0829106	H6	168	POS 1
501307	0829104	H0	198	POS 2-3-4-5-6
501308	0829117	H1,5	168	POS 1
501309	0829118	H1,5	198	POS 2-3-4-5-6
501310	0829109	H3	198	POS 2-3-4-5-6
501311	0829110	H6	198	POS 2-3-4-5-6
501312	0829107	H12	165	POS 1
501313	1629301	H12	165	POS 1

501101	1629407	H0	162	POS 1
501102	0829202	H5	189	POS 2-3-4-5-6
501103	0829201	H2,5	189	POS 2-3-4-5-6
501104	1629403	H5	162	POS 1
501105	0829203	H10	189	POS 2-3-4-5-6
501106	0829205	H0	189	POS 2-3-4-5-6
501107	1629404	H10	162	POS 1
501108	0829204	H20	189	POS 2-3-4-5-6
501109	1629401	H0	162	POS 1
501110	1629402	H2,5	162	POS 1
501111	1629405	H12	162	POS 1
501112	1629406	H17	162	POS 1
501113	1629408	H27	189	POS 2-3-4-5-6

502901	0829601	H20	189	POS 2-4-5
502902	0829602	H10	189	POS 2-4-5
502903	0829603	H40	189	POS 2-4-5
502904	0829604	H28	189	POS 2-4-5
502905	0829605	H14	189	POS 2-4-5
502906	0829606	H5	189	POS 2-4-5
502907	0829607	H2,5	189	POS 2-4-5
502908	1629201	H20	156	POS 1
502909	1629202	H10	156	POS 1
502910	1629203	H40	156	POS 1
502911	1629204	H28	156	POS 1
502912	1629205	H14	156	POS 1
502913	1629206	H5	156	POS 1
502914	1629207	H2,5	156	POS 1

Nb RT= 0.5 : 1

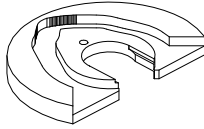
RT=0.8 : 1.6

RT=08 : 1.6

Ht=Corsa totale (Spostamento rapido+lavoro)

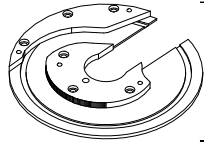
# Gildemeister AS20 GS20

## Camme per supporto centrale (Vedi Tab.01 )



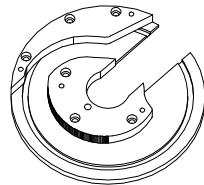
Tab01 Misure camme per supporto centrale																				
0			0			6			10			15			16			20		
Gildem.	Ht	Gradi	Ht	Gradi	Ht	Gradi	Ht	Gradi	Ht	Gradi	Ht	Gradi	Ht	Gradi	Ht	Gradi	Ht	Gradi		
1529301			1529255																	
503906	27	201°	503912	27	170	503904	27.5	177	503909	27.0	185	503921	27	201	503905	29.5	177	503920	27	201
Gildem.	503907	30.0	201°	1694464	503916	35.5	183			503915	27.0	201								
Gildem.	503908	20.0	201°	1529303	503914	16.0	201			503919	27.0	150								
Gildem.	503902	28.5	177°	5029302	503913	18.0	201													

## Camme desmodromiche per mandrini (Vedi Tab.02 )

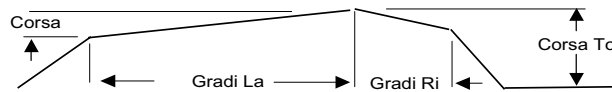


Tab02 Misure camme desmodromiche															
Pos	2.5			5			10			20			35		
	Ht	Gradi	Ht	Gradi	Ht	Gradi	Ht	Gradi	Ht	Gradi	Ht	Gradi	Ht	Gradi	
1-4-6	5010379	27.5	189	5010378	30	189	5010380	35	189	5010381	45	189			
2-3-5	5010383	27.5	189	5010382	30	189	5010384	35	189	5010385	45	189	5010477	45	189

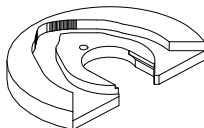
## Camme desmodromiche per brocciatura (Vedi Tab.03 )



Tab03 Misure camme desmodromiche per Brocciatura																
Codice	5010111	5010311	5010191	5010298	5010264	5010479	5010468	5010478	5010278	5010295	501085	5010512	5010366	5010134	5010141	501098
Corsa	3	3	4	5	5	5	5	5.5	6	6	6	6	6	6.3	6.3	6.5
Pos	2-3-5	1-4-6	2-3-5	1-4-6	2-3-5	1-4-6	2-3-5	2-3-5	1-4-6	1-4-6	2-3-5	2-3-5	1-4-6	1-4-6	2-3-5	2-3-5
Grad.La	165	165	165	142	142	142	155	80	63	165	165	165	175	172	175	175
Grad.Ri	30	30	30	32	42	42	40	40	17	30	30	30	30	23	25	25
Cors.To	20.5	21	21	26	26	26	15	19.5	25	21	23.5	21	21	21.8	21.8	23.5
Codice	5010339	5010431	5010432	5010449	5010140	5010246	5010199	5010343	5010492	5010448	5010193	5010238	5010399	5010286	5010205	5010516
Corsa	7	8	8	8	8	9	9	10	10	10	10	11	12	12	16	16
Pos	1-4-6	1-4-6	2-3-5	1-4-6	2-3-5	1-4-6	2-3-5	1-4-6	2-3-5	2-3-5	1-4-6	2-3-5	2-3-5	1-4-6	1-4-6	2-3-5
Grad.La	165	165	165	165	175	165	165	135	155	165	172	165	142	165	129	142
Grad.Ri	30	30	30	30	25	30	30	54	30	30	23	30	42	30	60	42
Cors.To	22	34	34	38	23.5	24	24	25	26	35	26	26	22	26.5	36	26



## Camme desmodromiche per rullatura filetti (Vedi Tab.04 )



Tab04 Misure camme per rullatura filetti																		
Pos	9			6.5			6			5.5			5			4		
	Ht	Gradi	Ht	Gradi	Ht	Gradi	Ht	Gradi	Ht	Gradi	Ht	Gradi	Ht	Gradi	Ht	Gradi		
4	503001	21	24	503021	20	31	503033	20	30	503026	20	20	503025	20.5	42	503037	20	24
4	503027	25	21	503039	20	21	503029	18	24	503043	20	21	503036	25	21	503042	24	24
4													503045	19	39	503046	20	51
5	503002	21	24	503018	20	36	503032	20	30	503023	20	20	503049	25	21	503040	24	24
5				503019	20	21												
5				503020	20	55												

**Nb**

Ht=Corsa totale (Spostamento rapido+lavoro)